

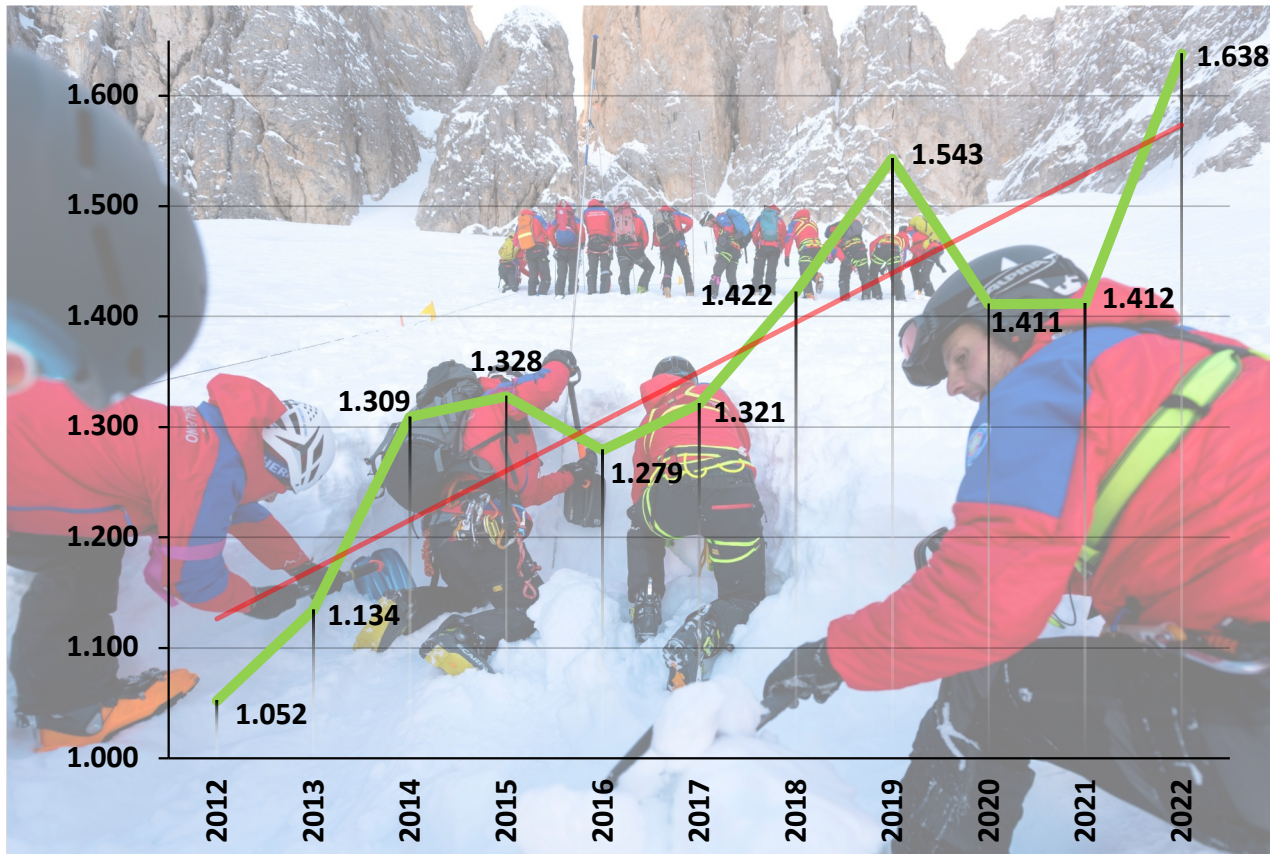
ICAR-Congress 2023

17.-21.10.2023

Fast Rescue System 2.0



Mountain rescue operations in South Tyrol

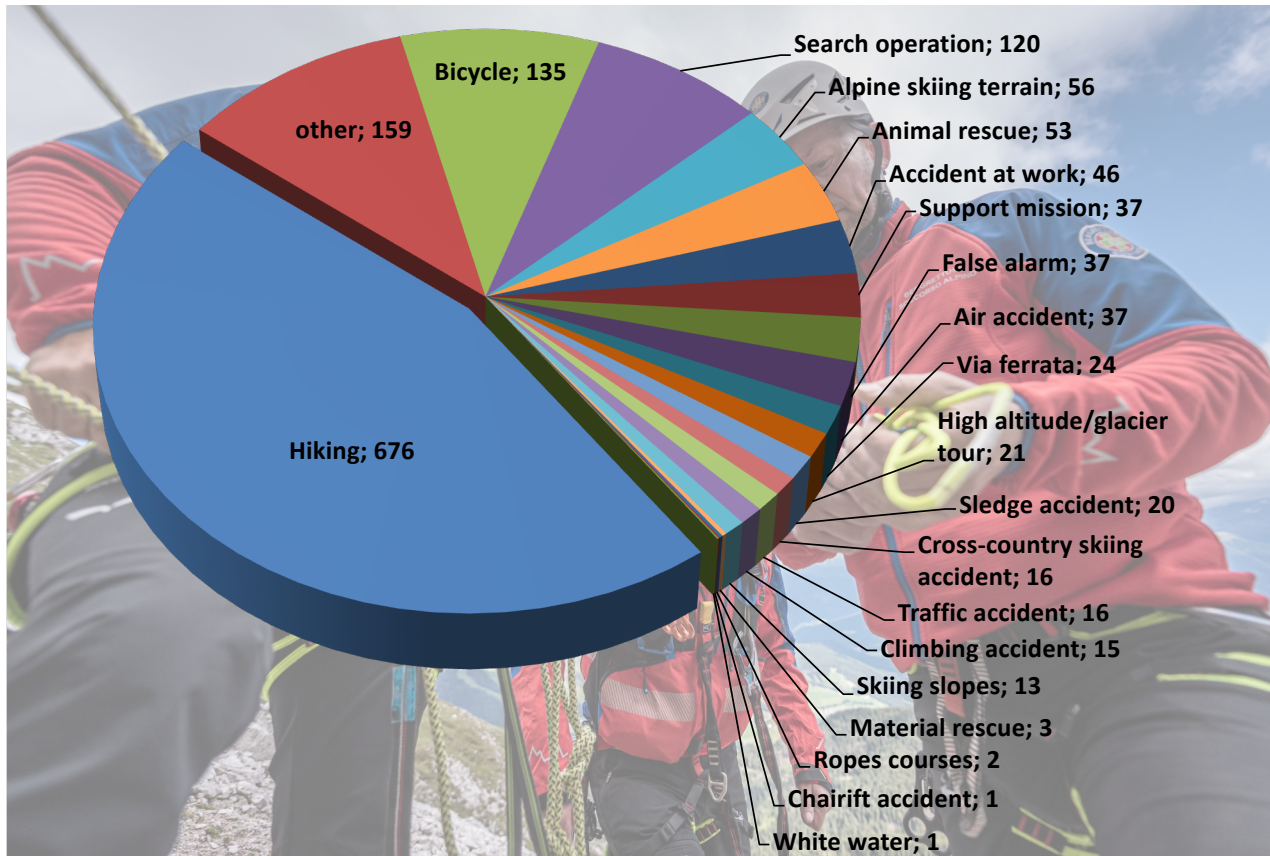


Operations of the mountain rescue services:

- BRD = 1.600
- CNSAS = 1.200



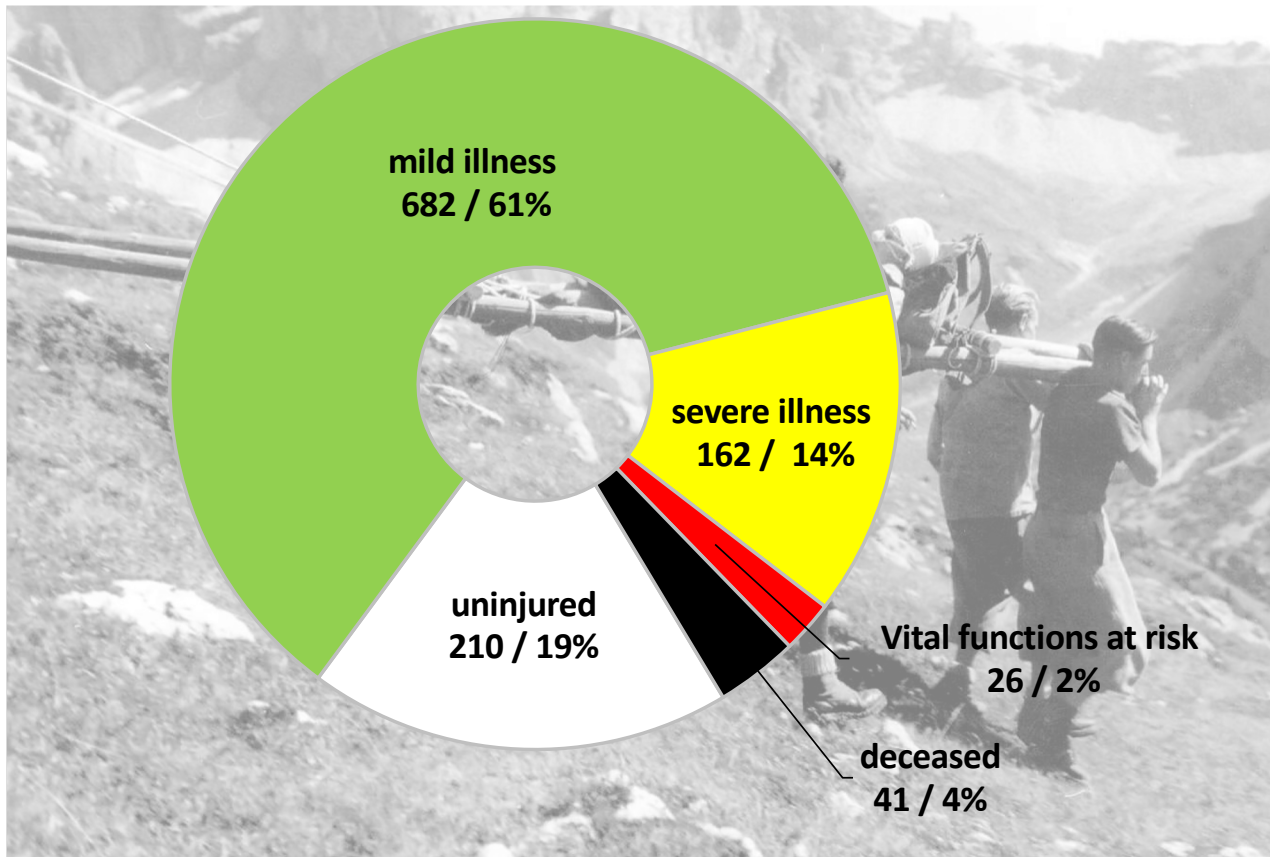
Mountain rescue operations in South Tyrol



- 21 types of operations with 37 different disciplines



Mountain rescue operations in South Tyrol



From the statistics, you can see that the major part of the operations have a good outcome.



Existing rescue systems



From the good old days – CARABINER BRAKE:

- No special equipment
- Only carabiners
- Pieces of rope and webbing slings



Existing rescue systems



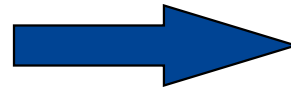
From more recent days – PLATE BRAKE:

- Kong Full-Plate
- Carabiners
- Pieces of rope and webbing slings



New rescue system – Easy Terrain

OLD



NEW



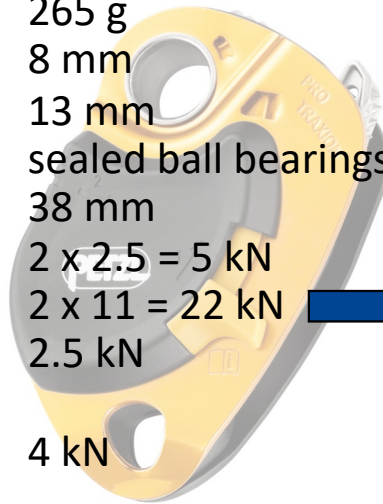
New rescue system – Fast Rescue (2.0)

Specifications:

- Weight:
- Min. rope diameter:
- Max. rope diameter:
- Sheave type:
- Sheave diameter:
- Working load:
- Breaking strength:
- Working load as progress capture pulley:
- Breaking strength as progress capture pulley:
- Efficiency:

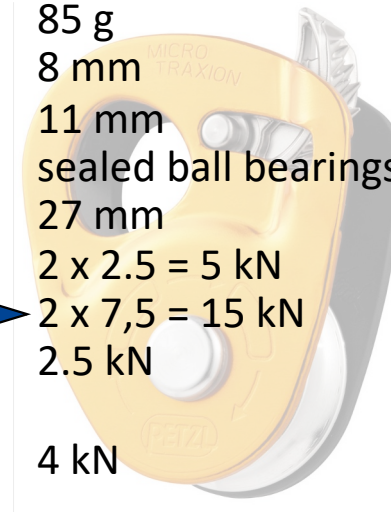
Pro-Traxion

265 g
 8 mm
 13 mm
 sealed ball bearings
 38 mm
 2 x 2.5 = 5 kN
 2 x 11 = 22 kN
 2.5 kN
 4 kN
 95 %



Micro-Traxion

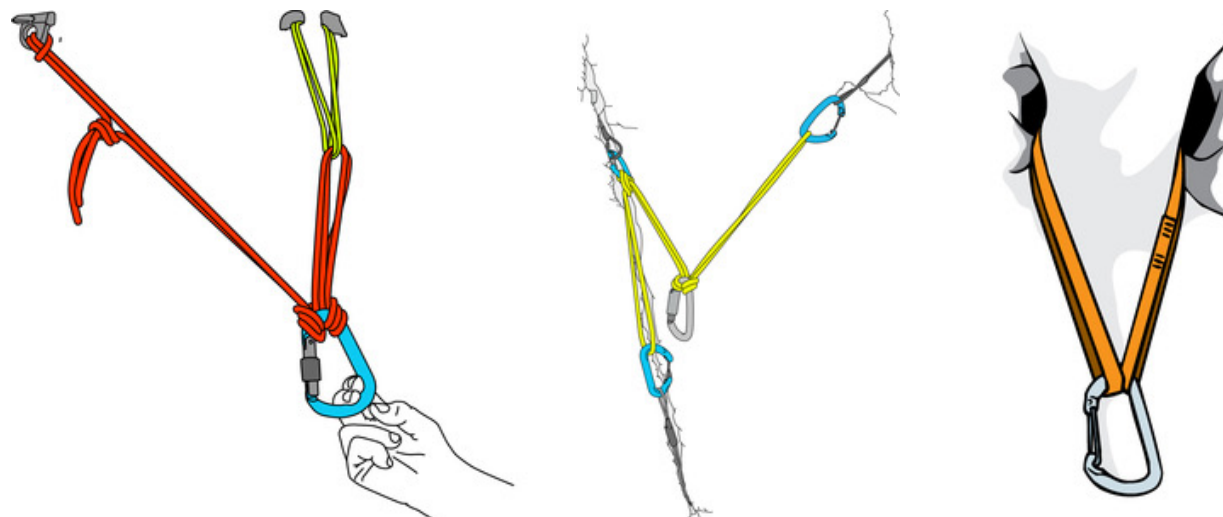
85 g
 8 mm
 11 mm
 sealed ball bearings
 27 mm
 2 x 2.5 = 5 kN
 2 x 7,5 = 15 kN
 2.5 kN
 4 kN
 91 %



Fast Rescue (2.0) – Anchor

Solid alpine Anchor

- Friends
- Pitons
- Bolts
- Tree / Rock



Fast Rescue (2.0) – Lowering first rescuer

- Alpine Tube
- Micro Traxion



Fast Rescue (2.0) – Lowering first rescuer

Alpine Tube

Micro Traxion



Fast Rescue (2.0) – Lowering first rescuer

Lowering the first rescuer

Blocking the Micro-Traxion

Hand force: 40-50kg
Maximal load: 530-670kg
(depending on rope)



Fast Rescue (2.0) – Rope ring

Rope ring if needed



Fast Rescue (2.0) – Fixing/blocking first rescuer

Fixing/blocking the first rescuer

Remove Alpine Tube



Fast Rescue (2.0) – Descend of the next rescuers



Abseiling



Bergrettungsdienst im Alpenverein Südtirol EO
Brauereistraße 18 / I-39018 Vipitan (BZ)

+39 0471 675000
info@bergrettung.it / www.bergrettung.it

Fast Rescue (2.0) – Descend of the next rescuers



Abseiling

Descending with Prusik



Fast Rescue (2.0) – Lowering stretcher

Lowering the stretcher



Hand force: 40-50kg
Maximal load: 640-780kg
(depending on rope)

Fast Rescue (2.0) – Lowering stretcher

Lowering the stretcher



Fast Rescue (2.0) – Fixing/blocking stretcher

Fixing/blocking the first rescuer by turning the Alpine Tube

Remove the sling



Fast Rescue (2.0) – Fixing/blocking stretcher

Fixing/blocking the first rescuer by turning the Alpine Tube

Remove the sling



Fast Rescue (2.0) – Preparing stretcher for hauling up

Bring ropes together



Fast Rescue (2.0) – Hauling up the stretcher

Hauling up the stretcher

Stop crew haul up



Fast Rescue (2.0) – 3:1 Hauling system

Set up a 3:1 hauling system



Fast Rescue (2.0) – back up belay

Back up belay the second rope



Any questions?



Bergrettungsdienst im Alpenverein Südtirol EO
Brauereistraße 18 / I-39018 Vilpian (BZ)

+39 0471 675000
info@bergrettung.it / www.bergrettung.it